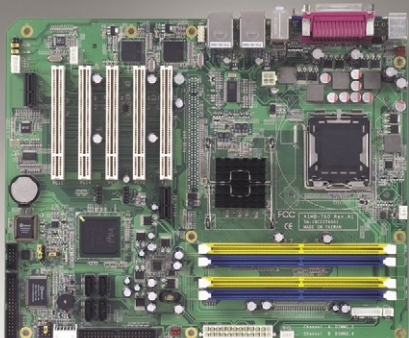


AIMB-760

**LGA775 Pentium® 4/ Celeron® D
Processor-based ATX with DDR2/
Dual GbE LAN**



Features

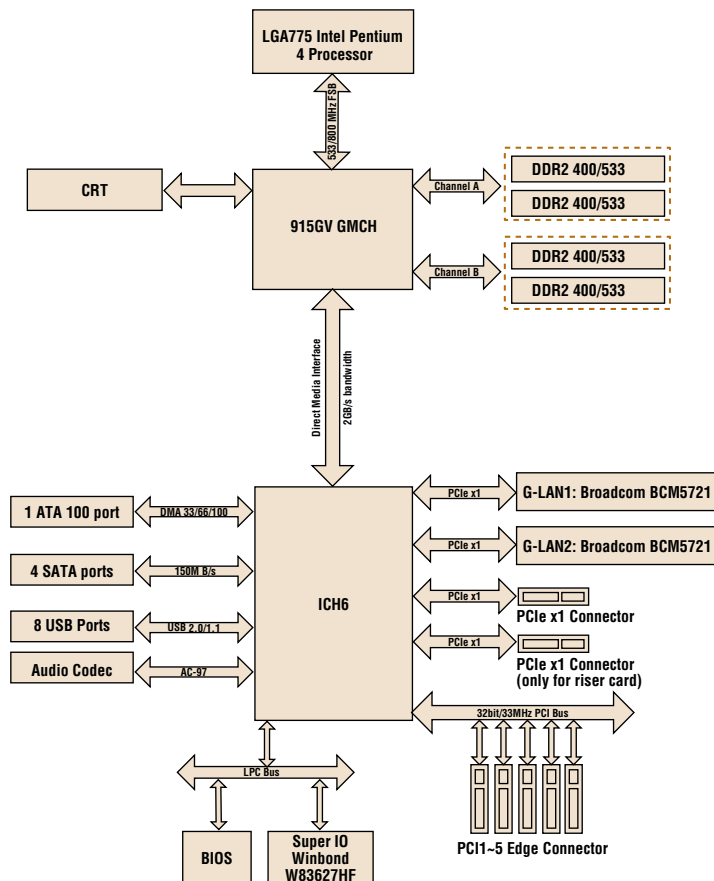
- Intel® 915GV chipset 800 MHz FSB
- Supports dual channel DDR2 400/533 SDRAM
- Chipset integrated VGA
- Four SATA ports
- Supports dual 10/100/1000Base-T Ethernet via dedicated PCIe x 1 bus
- CMOS automatic backup and restore to prevent accidental data loss of BIOS setup
- Compatible with Advantech's 2U, 4U, 5U and 7U chassis

CE FCC

Specifications

Processor System	CPU	Intel Pentium® 4	Intel Celeron® D			
	Max. Speed	3.8 GHz	3.06 GHz			
	L2 Cache	2048 KB/1024 KB	256 KB			
	Chipset	Intel 915GV+ICH6				
	BIOS	Award 4 Mb FWH				
	Front Side Bus	533/800 MHz				
Expansion Slot	PCIe x1	250 MB/s per direction, 1 slot				
	PCI	32-bit/33 MHz, 5 slots				
Memory	Technology	Dual channel DDR2 400/533 SDRAM				
	Max. Capacity	4 GB				
	Socket	240-pin DIMM x 4				
Graphic	Controller	Chipset integrated VGA controller (No PCIe x16 slot)				
	VRAM	Dynamically shared system memory up to 128 MB				
Ethernet	Interface	10/100/1000Base-T				
	Controller	Broadcom BCM5721 (PCIe x1) x 2				
	Connector	RJ-45 x 2				
SATA	Max. Data Transfer Rate	150 MB/s				
	Channel	4				
EIDE	Mode	ATA 100/66/33				
	Channel	1 (Max. two devices)				
I/O Interface	VGA	1				
	LAN	1 (for VG version); 2 (for G2 version)				
	USB	8 (USB 2.0, 480Mbps; 4 external ports and 4 on-board pin headers)				
	Audio	2 (LINE-Out and MIC-In)				
	Serial	2 (RS-232, 1 port and 1 onboard pin header)				
	Parallel	1 (SPP/EPP/ECP)				
	FDD	1				
	PS/2	2 (Keyboard and Mouse)				
Watchdog Timer	Output	Interrupt, system reset				
	Interval	Programmable 1 ~ 255 sec.				
Power Requirement	Typical	Pentium 4 3.4GHz (800 MHz FSB), 2 x 512MB, 2 x 256MB DDR2 533 SDRAM				
		+5 V	-5 V	+12 V	-12 V	+5 VSB
		6.64 A	0.01 A	12.59 A	0.01 A	0.3 A
Environment		Operating		Non-Operating		
	Temperature	0 ~ 60 °C (32 ~ 140 °F), depends on CPU's speed and cooler solution.		-20 ~ 70 °C (-4 ~ 158 °F)		
Physical Characteristics	Dimensions (W x D)	304.8 mm x 244 mm (12" x 9.6")				

Block Diagram



Ordering Information

Part Number	Gigabit LAN	VGA
AIMB-760VG-00A1	Single	Yes
AIMB-760G2-00A1	Dual	Yes

Packing List

Part Number	Description	Quantity
1700340640	FDD cable	X 1
1701400452	IDE HDD cable	X 2
1700071000	Serial ATA HDD data cable	X 2
1703150102	Serial ATA HDD power cable	X 2
170304015K	ATX 12V power converter cable	X 1
1701090401	COM port cable kit	X 1
9689000068	Jumper pack	X 1
1960004027	I/O port bracket	X 1
-	Startup manual	X 1
-	Utility CD	X 1

Bracket View



AIMB-760VG-00A1



AIMB-760G2-00A1

Accessories

Part Number	Description
1750000334	LGA775 CPU cooler up to 3.8 GHz (115 W), 4U, 5U and 7U chassis
1750000332	LGA775 CPU cooler up to 3.8 GHz (115 W), 2U, 4U, 5U and 7U chassis