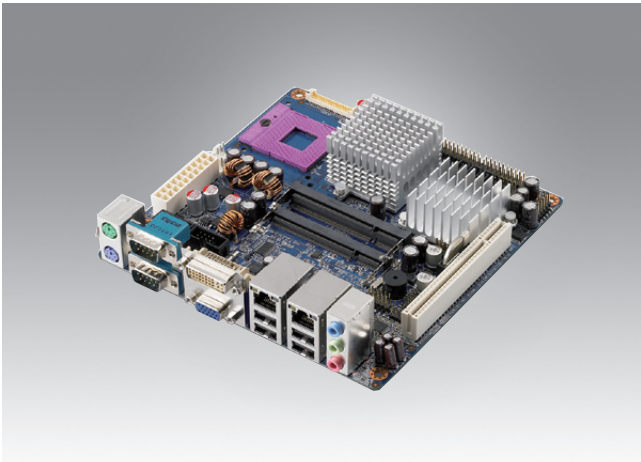


# AIMB-256

Intel® Core™2 Duo Socket 479 Mini-ITX  
with CRT/DVI/LVDS, 4 COM and Dual LAN



## Features

- Supports Intel® Core™2 Duo/ Celeron® M mobile processor uFC-PGA 478 - GME965 and ICH8M
- Two 200-pin SODIMM sockets support up to 4 GB dual channel DDR2 533/667 MHz SDRAM
- Supports dual display for CRT, LVDS, and DVI
- Supports 4 serial ports, 3 SATA ports, 2 LAN ,CF and TPM1.2 (optional)
- Supports SUSIAccess and Embedded Software APIs

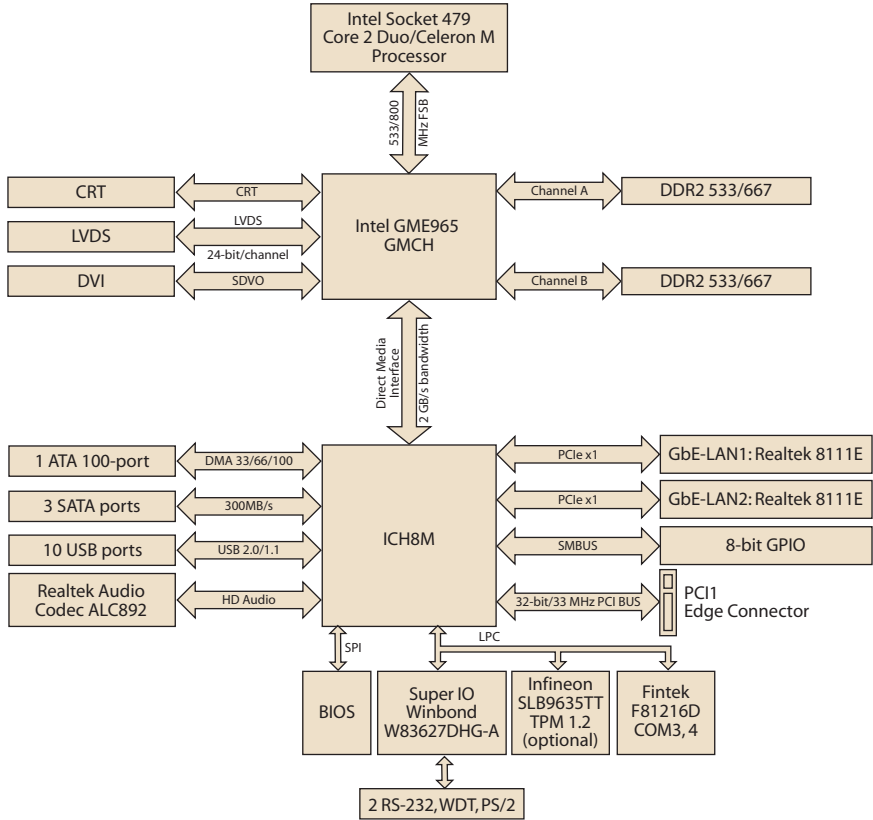
**Software APIs:** SMBus H/W Monitor Watchdog GPIO Brightness

**Utilities:** BIOS flash Monitoring

## Specifications

Processor System	CPU (65 nm μFC-PGA 478, Socket P)	Intel Core 2 Duo	Intel Celeron M	Intel ULV Core 2 Duo	
	Max. Speed	T7500 2.2 GHz	550 2.0 GHz	U7500 1.06 GHz on board	
	Front Side Bus	800 MHz	533 MHz	533 MHz	
	L2 Cache	2 x 2 MB	1 MB	1 MB	
	Chipset	Intel GME965 + ICH8M			
	BIOS	AMI 16 Mbit, SPI			
Expansion Slot	PCI	32-bit/33 MHz, 1 slot			
	Mini-PCI	-			
	PCIe	-			
Memory	Technology	Dual channel DDR2 533/667 MHz SDRAM			
	Max. Capacity	4 GB			
	Socket	2 x 200-pin SODIMM (Non-ECC)			
Graphics	Controller	Intel GME965 GMCH integrated Graphics Media Accelerator X3100			
	VRAM	DVMT 4.0 supports shared system memory up to 384 MB video memory			
	LVDS	Single channel 18/24-bit/Dual channel 36/48-bit LVDS			
	TV-Out	-			
	DVI	Yes, via Chronitel CH7307C SDVO transmitter			
	Dual Display	CRT+LVDS, CRT+DVI, LVDS+DVI			
Ethernet	Interface	10/100/1000 Mbps			
	Controller	GbE LAN1: Realtek RTL8111E; GbE LAN2: Realtek RTL8111E			
	Connector	RJ-45 x 2			
SATA	Max Data Transfer Rate	300 MB/s			
	Channel	3			
EIDE	Mode	EIDE (Ultra DMA 100)			
	Channel	1			
SSD	CompactFlash	Supports CompactFlash Type I/II			
	CRT	1			
Rear I/O	DVI	1			
	Ethernet	2			
	USB	4 (USB 2.0 compliant)			
	Audio	3 (Mic-in, Line-out, Line-in)			
	Serial	2 (2 x RS-232, supplies 5 V & 12 V)			
	PS/2	2 (1 x keyboard and 1 x mouse)			
	LVDS	1			
	USB	6 (USB 2.0 compliant)			
Internal Connector	Serial	2 (2 x RS-232, supplies 5 V & 12 V)			
	IDE	1			
	SATA	3			
	CompactFlash	1			
	Parallel	-			
	IrDA	-			
	FDD	-			
	GPIO	8-bit			
Watchdog Timer	Output	System reset			
	Interval	Programmable 1 ~ 255 sec/min			
Power Requirements	Power On	Intel Core 2 Duo T7300 2.0 GHz FSB 800 MHz, 2 GB DDR2 SDRAM			
		+5 V	+3.3 V	+12 V	+5 VSB
		2.75 A	1.76 A	4.13 A	1.42 A
		Operating	Non-Operating		
Environment	Temperature	0 ~ 60° C (32 ~ 140° F)		-20 ~ 70° C (-4 ~ 158° F)	
	Physical Characteristics	Dimensions	170 mm x 170 mm (6.69" x 6.69")		

### Block Diagram



### Ordering Information

Part Number	CPU	GbE	DVI	SATA
AIMB-256G2-00A1E	-	2	1	3

### Optional Accessories

Part Number	Description
1700003195	USB cable with two ports, 17.5 cm
1700002204	USB cable with two ports, 27 cm
1700008461	USB cable with four ports, 30.5 cm

### Packing List

Description	Quantity
AIMB-256 SBC	1
IDE HDD cable (40-pin)	1
SATA HDD data cable	2
SATA HDD power cable	2
Serial cables	2
CPU cooler	1
I/O port bracket	1
Startup manual	1
Driver CD	1

### Embedded OS/API

OS/API	Part No.	Description
Win XPE	2070004369	XPE SP2 FP2007AIMB-256 V3.01 ENG
Software API	205E000021	SUSI 3.0 SW API for AIMB-256 XP

### I/O View



AIMB-256G2-00A1E