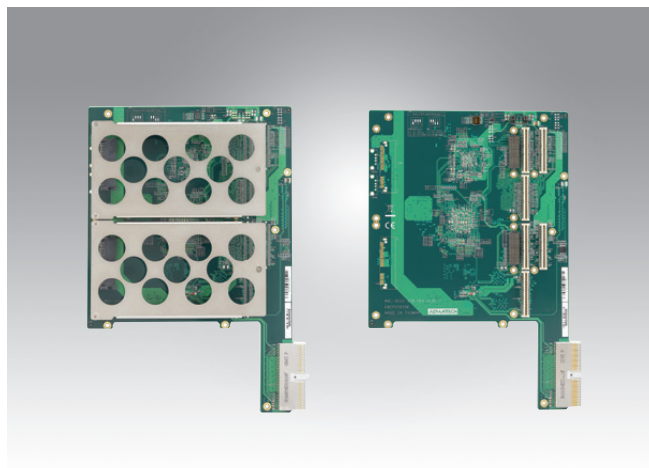


MIC-3312

6U CompactPCI® Extension Board for MIC-3393



Features

- Extension module for MIC-3393 CPU board
- Supports 2 XMC/PMC or 2 SATA interfaces



Introduction

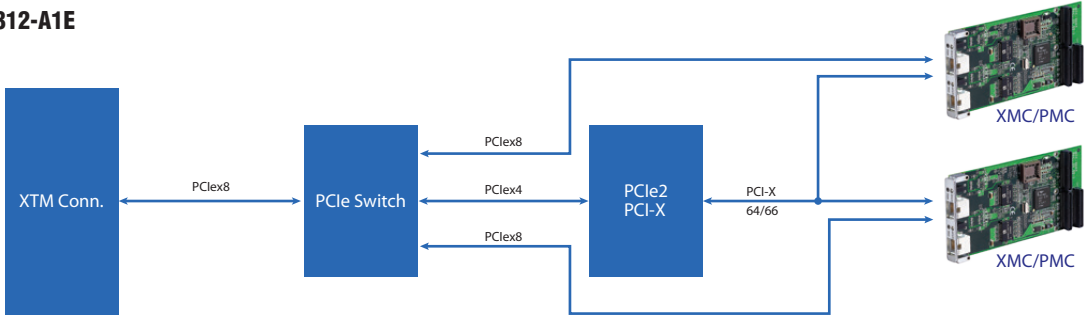
The MIC-3312 is an extension module for CPCI blades using dual slot (8HP) front panels. It can carry two XMCs/PMCs or two 2.5" Serial ATA HDDs/SSDs. Especially where the choice of CPU for the MIC-3393 and the thermal environment in the chassis mandate the use of an 8HP front panel for the MIC-3393, the MIC-3312 can be used as a very efficient way to support enhanced I/O modularity and additional mass storage options. Using dual HDDs or SSDs on MIC-3312-A2E can provide integrated storage with RAID support using the ICH9R's features on the MIC-3393. Adding PMCs and XMCs on the MIC-3312-A1E, such as the MIC-3665 dual GbE PMC or an 10GE XMC Module can be used to extend port count or enhance the CompactPCI platform to add 10Gigabit Ethernet connectivity. With the advent of quad Core processors on the MIC-3393, there is also sufficient CPU power to support high speed connectivity on CompactPCI.

Specifications

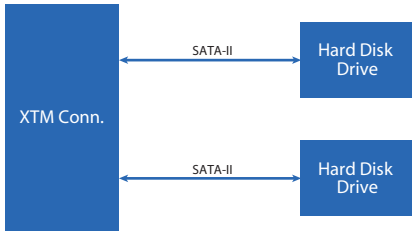
CompactPCI Connector	J1		
XMC	Interface	PCIe x8	
PMC	Interface	PCI-X 64-bit/66 MHz	
Power Consumption	MIC-3312-A1E	+3.3V	-
	(without XMC/PMC)	1.5A	-
	MIC-3312-A2E	-	+5V
	(with SATA HDD*2)	-	2A
Environment	Operating		Non-Operating
	Temperature	0 ~ 55° C (32 ~ 122° F)	-40 ~ 85° C (-40 ~ 185° F)
	Humidity	95 % @ 40° C, non-condensing	95 % @ 60° C, non-condensing
Physical Characteristics	Dimensions (W x D)	233.35 x 160 mm (9.2" x 6.3"), 2-slot width (MIC-3393 + MIC-3312)	
	Weight	0.2 kg (0.44 lbs) (MIC-3312)	

Board Diagram

MIC-3312-A1E



MIC-3312-A2E

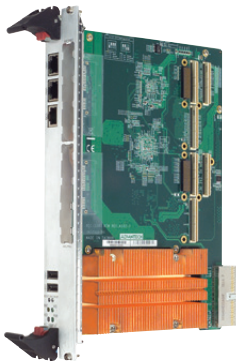


Recommended Configurations

Extension Module	CPU Board
MIC-3312-A1E	MIC-3393B-M2E
MIC-3312-A2E	MIC-3393C-M2E

Ordering Information

Part Number	On-board Header/Socket/Connector	
	XMC/PMC	SATA HDD
MIC-3312-A1E	2	-
MIC-3312-A2E	-	2



MIC-3312-A1E



MIC-3312-A2E