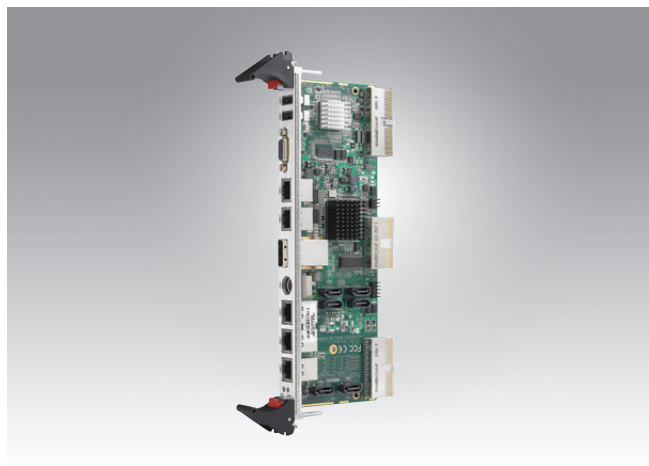


RIO-3311

6U CompactPCI® Rear Transition Board for MIC-3393



Features

- External rear-panel interface connectors for the MIC-3393 CPU board
- Supports SAS, SATA, USB2.0, COM, and PS/2 interfaces
- One USB header for USB NAND Flash Module
- Three RJ-45 GbE ports on the rear panel
- One VGA port on the rear panel
- One Mini-SAS port on the rear panel



Introduction

The RIO-3311 is the first Rear Transition Module (RTM) supporting PCIe connectivity to the main CPCI board enabling significant value-added features and extensions to next generation CPCI blades such as the MIC-3393. The RIO-3311 supports one PS/2 port, 3 USB ports, two RS-232 ports, 2 SATA ports, a PCIe based server graphics controller with VGA port and alternate cabling for the three Gigabit Ethernet ports. Two versions of the RIO-3311 provide a choice of storage options. The RIO-3311-A2E supports SATA disk drives and SATA RAID via the ICH9R. When higher performance and reliability is required, the RIO-3311-A1E supports a 4-port SAS controller with RAID and failover support.

Specifications

CompactPCI Connector	J1/J3/J5		
SAS Controller	Controller	LSISAS1064E SAS controller chip supports 3Gb/s SAS / SATA data transfer and RAID	
	Controller	XGI Volari Z11	
Graphics	VRAM	32 MB	
	Resolution	Up to 1600 x 1200, 64 K hi-color at 70 Hz	
	Power Consumption	+3.3 V	+5 V
Power		1.5 A	1.5 A
	Environment	Operating Temperature	0 ~ 55° C (32 ~ 122° F)
			-40 ~ 85° C (-40 ~ 185° F)
Humidity		95% @ 40° C, non-condensing	95% @ 60° C, non-condensing
Physical Characteristics	Dimensions (W x D)	233.35 x 80 mm (9.2" x 3.15"), 1-slot width	
	Weight	0.3 kg (0.66 lbs)	

Recommended Configurations

Rear I/O Board	CPU Board
RIO-3311-A1E, RIO-3311-A2E	MIC-3393A, MIC-3393B, MIC-3393C Series

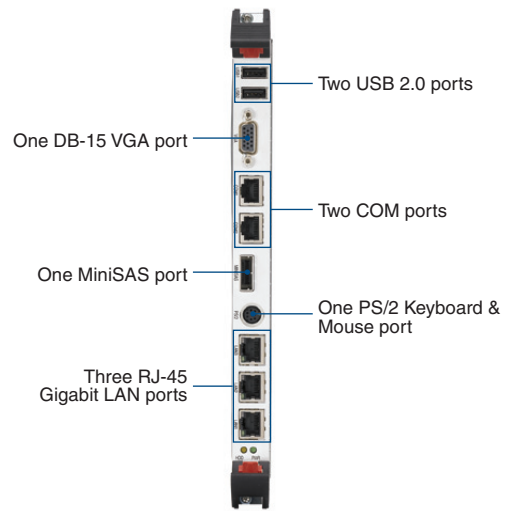
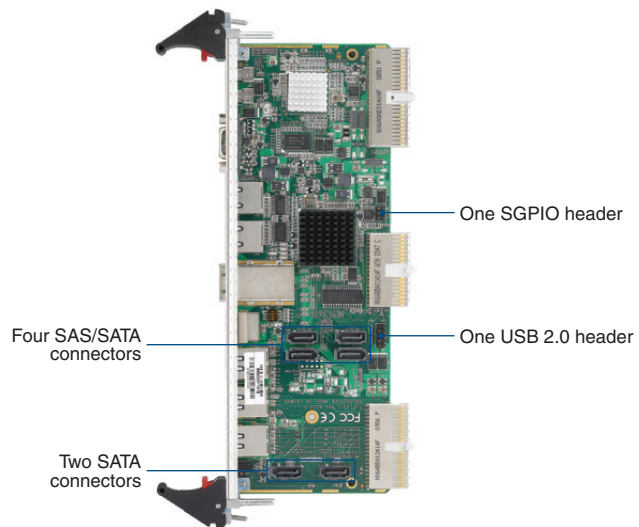
Ordering Information

Part Number	Rear Panel						On-board Header/Socket/Connector					Slot Width	Conn.
	LAN	COM	VGA	PS/2*	USB	MiniSAS	USB	USB Flash**	SATA	SAS (SATA interface)			
RIO-3311-A1E	3	2	1	1*	2	1	1	-	2	4	1	J1,J3,J5	
RIO-3311-A2E	3	2	1	1*	2	-	1	1	2	-	1	J1,J3,J5	

*Note: One PS/2 port carries the signals for both K/B and mouse. Y cable is included.

**Note: Use of Advantech EmbCore USB 2.0 Disk Module (Type C) recommended

RIO-3311-A1E



RIO-3311-A2E

