

# MIOS-5271

## 4th Gen Intel® Core™ U-Series Fanless Embedded Box PC with Multiple I/O Extension Module

**NEW**



### Features

- 4th Gen Intel® Core™ U-Series (i5/Celeron), 1 x DDR3L-1600/1333 SO-DIMM support up to 8 GB
- Rich I/O Expansion Possibilities through modularized design
- Various extension modules for selection: multiple serial-port / GbE, CAN Bus, PoE
- Optimized thermal design to maximize heat dissipation
- Fast customization for module, I/O bracket, color and logo
- 12~24V / 12V only DC power input for choice
- Wire clip design to prevent adapter cable losing
- Supports iManager, SUSIAccess and Embedded Software APIs



SUSIAccess iManager

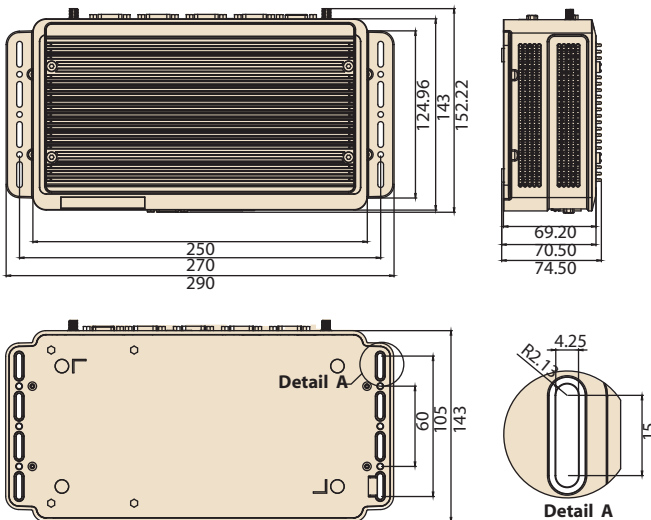


### Specifications

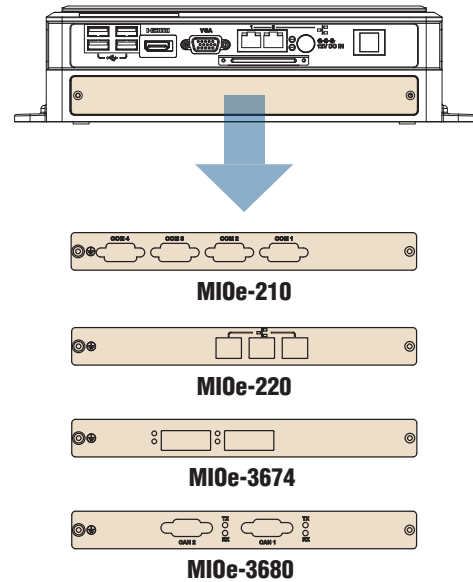
Processor System	CPU	Intel Core Core i5-4300U / Celeron 2980U
	Max. Speed	Dual Core 1.9 GHz/1.6 GHz
	L3 Cache	3 MB / 2 MB
	System Chipset	Intel 8 Series Chipset
	BIOS	AMI UEFI BIOS at 128 Mb
Memory	Technology	DDR3L 1333/1600 MHz
	Max. Capacity	8 GB
	Socket	1 x 204-pin SO-DIMM
Graphics	Chipset	Intel HD Graphics 4400 / Intel HD Graphics (Celeron)
	Graphic Engine	DirectX11.1, OpenGL 4.0, and OpenCL 1.3
	VGA	Full AVC/VC1/MPEG2 HW Decode
	HDMI / DisplayPort*	Up to 1920 x 1200 with 60 Hz, 154 MHz pixel clock rate
	Dual Display	Max resolution up to 3200 x 2000 at 60 Hz on DisplayPort, 4096 x 2304 at 24 Hz on HDMI
Ethernet	GbE1	Yes, VGA + HDMI/DP*
	GbE2	10/100/1000 Mbps Intel i218 Ethernet controller, support Wake On Lan
Audio	Interface	10/100/1000 Mbps Intel i210 Ethernet controller, support Wake On Lan
	Serial Ports	Realtek ALC888S, High Definition Audio, Line-out, Mic-in, Line-in
IO Interface	USB Interface	2 x RS-232, 2 x RS-232/422/485 Ports with ESD protection : Air gap ±15kV, Contact ±8kV
	Digital IO	2 x USB 2.0 ports, 2 x USB 3.0
Other	Watchdog timer	8-bits
	Mini PCIe	255 levels timer interval, setup by software
Internal Expansion	HDD	1 x Full-size Mini PCIe with SIM card holder
	mSATA	1 x Half-size Mini PCIe
Support Extension Module	MI0e-210	Supports one drive bay for SATA 2.5" HDD (Compatible with 9mm height HDD)
	MI0e-220	1 x Full-size (default with miniPCIe, support by request)
	MI0e-3674	4 x RS232/422/485, 2 x RS422/485
	MI0e-3680	3 x Intel Gigabit Ethernet
	MI0e-3680	4 x Gigabit Ethernet with PoE ports
Power Requirement	Power Type	2 x CAN Bus
	Power Input Voltage	AT/ATX
	Minimum Power Input	24 V <sub>DC</sub> (Phoenix plug in rear side) / 12 V <sub>DC</sub> (DC Jack in front side)
Power Consumption	Typical	12 V ~ 24 V, 3.0 A ~ 1.5 A
	Max.	MIO-5271U-S6A1E: 0.38 A @ 12 V (4.56 W)
		MIO-5271U-S9A1E: 0.39 A @ 12 V (4.68 W)
Mechanical	Construction	MIO-5271U-S6A1E: 1.71 A @ 12 V (20.52 W)
	Mounting	MIO-5271U-S9A1E: 2.46 A @ 12 V (29.52 W)
	Dimensions (W x H x D)	Plastic Part: PC+ABS(LG5001RFP)Chassis: SECC
	Weight	Bottom Cover: Aluminum
	Operating Temperature	Heatsink: Aluminum 6063-T5
Environment	Storage Temperature	Metal Parts: SECC
	Relative Humidity	Din-Rail mounting, Desk/wall-mounting, VESA mounting
	Vibration During Operation	290 x 143 x 74.5 mm mm (10.41" x 2.72" x 5.24")
	Shock During Operation	2.3 kg (5.07 lb), with HDD, MIOe-210 and Wifi module inside)
	EMC	0 ~ 45° C (32 ~ 113° F) with 0.7m/s air flow
	Safety Certifications	-40 ~ 85° C (-40 ~ 185° F)
		95% @ 40° C (non-condensing)

### Dimensions

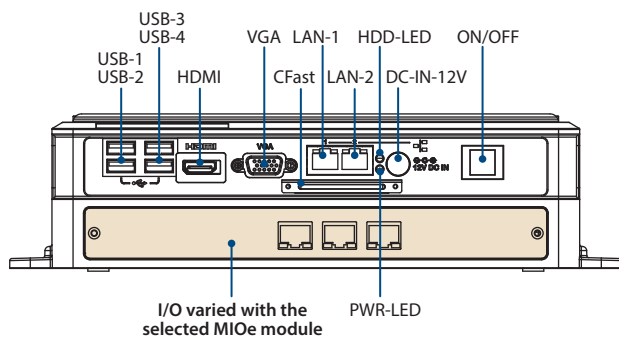
Unit: mm



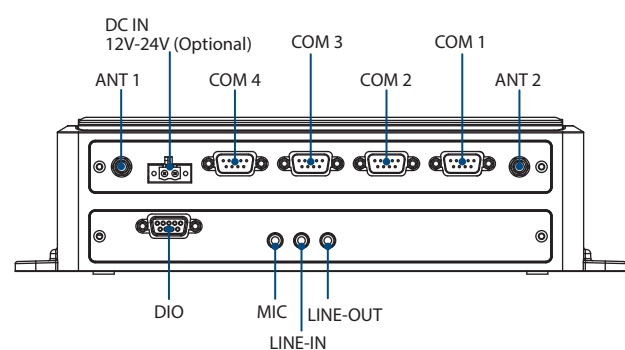
### Supported Extension Modules



### Front Panel External I/O Mechanical Layout/Drawing



### Rear Panel External I/O Mechanical Layout/Drawing



### Packing List

Part Number	Description
-	1 x MIOS-5271 Unit
-	1 x User Manual
-	1 x China RoHS
-	Wrench, screw and stud pack

### Ordering Information

Part Number	Description
MIOS-5271U-S9A1E	
MIOS-5271U-S6A1E	

### Optional Items

Part Number	Description
1757003659	AC-to-DC Adapter, DC19 V/3.42 A 65 W, with Phoenix Power Plug, 0 ~ 40° C for Home and Office Use
1757003995	AC-to-DC Adapter, DC 12V/5A 60W, 0 ~ 40° C for Home and Office Use
1700001524	Power cable 3-pin 180 cm, USA type
170203180A	Power cable 3-pin 180 cm, UK type
170203183C	Power cable 3-pin 180 cm, Europe type
1700008921	Power cable 3-pin 180 cm, PSE
-	VESA mounting bracket
-	DIN-rail mounting kit

### Embedded OS

Refer to page 3-11