

DLT-V8315



Fully Configurable 15" Industrial PC, Rugged

- Color-TFT 15"
- Fully configurable to support individual needs
- Break-proven, abrasion-resistant touchscreen, IK08
- Integrated uninterruptible power supply (UPS)
- Extreme temperature range, cold store capable
- Fully rugged, IP66 for the complete system

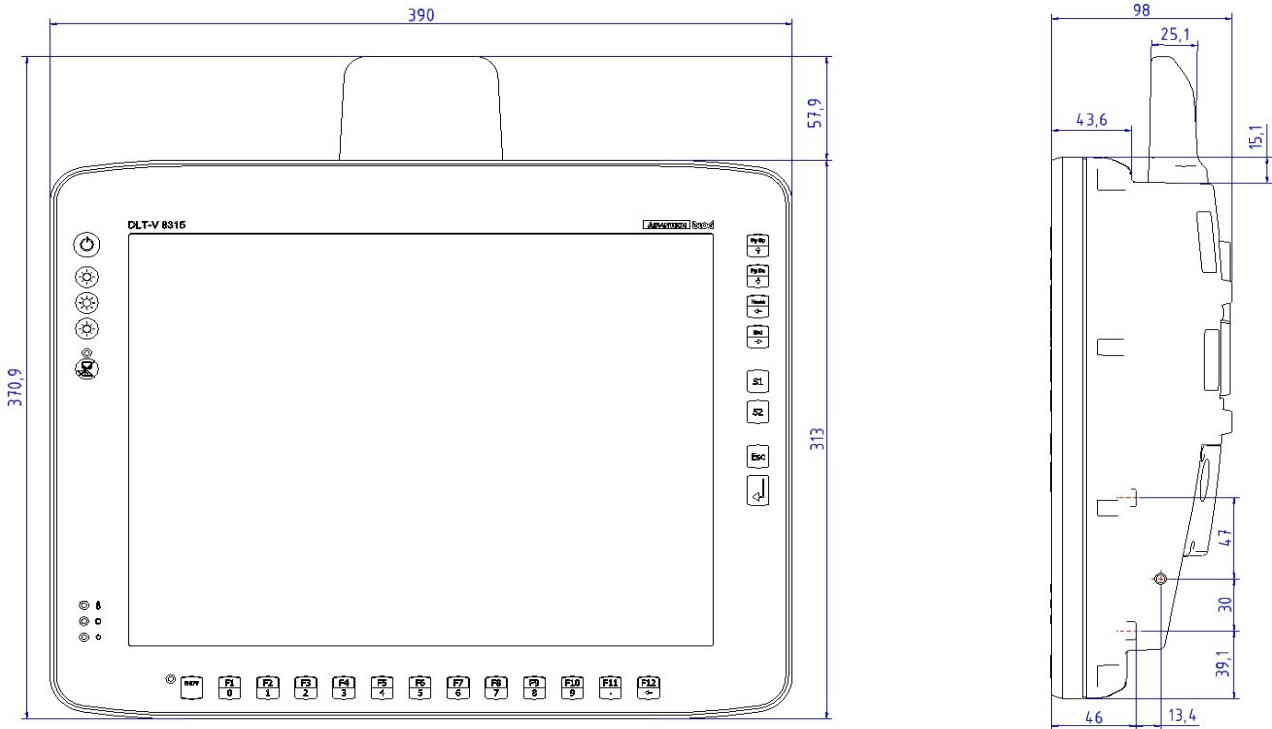
Specification

System	CPU Mass storage memory	Intel® ATOM™ D 525 Dual Core 1.8 GHz with 2 GB RAM or 4 GB RAM 4 GB CFast or more 2.5" SSD with 128 GB, optional
Housing		Completely sealed, fanless design Coated aluminium
Dimensions/Weight (without antenna)		Width x height x depth: 390 mm x 313 mm x 98 mm (15.35 in x 12.32 in x 3.86 in) Weight 6.2 kg
Display		Color-TFT 15.1" XGA 1024 x 768 400 cd/m ²
Touchscreen		Highest impact capable touchscreen
Front Keys		5 front keys or 26 front keys, optional
Software	Operating system Emulations (third-party)	MS® WE8S, WE 8.1 Ind Pro, WES 2009, WinXP Pro, WES 7, Win7 Pro, Linux VT100, VT220, IBM 5250, TN 3270, Citrix Client®, Freefloat Access One
Communication	Wi-Fi LAN WPAN	Wi-Fi IEEE 802.11 a/b/g/n, optional Ethernet 10/100/1000 MBit/s, optional 2 nd Ethernet Bluetooth, optional
Interfaces	Serial USB	2 x RS-232, alternatively 1 x RS-232 and RS-422/485 4 x USB 2.0 (HI-SPEED™), bootable; including 1 x Service USB
Audio/Voice	Sound Kit	Speaker integrated Advantech-DLoG specific Voice Kit, optional
Power supply (internal)	DC variant AC variant	12/24/48VDC nominal voltages Automatic switch-on/switch-off function via vehicle ignition Integrated Uninterruptible Power Supply (UPS), typically 10 min, optional 110/230 VAC, 50/60 Hz
Environmental	IP protection class Impact resistance of the front Operating temperature Shock/Vibration	IP66 for the complete system IK08 according to IEC 62262 -30 to +50 °C (-22 to +122 °F) Class 5M3 (PCT version), 5M2 (resistive touchscreen version) according to EN 60721-3-5 US Highway Truck as MIL-STD 810F
Approvals	Certifications	CE Immunity Class A, Emission Class B / FCC Class B, CCC China, TELEC Japan

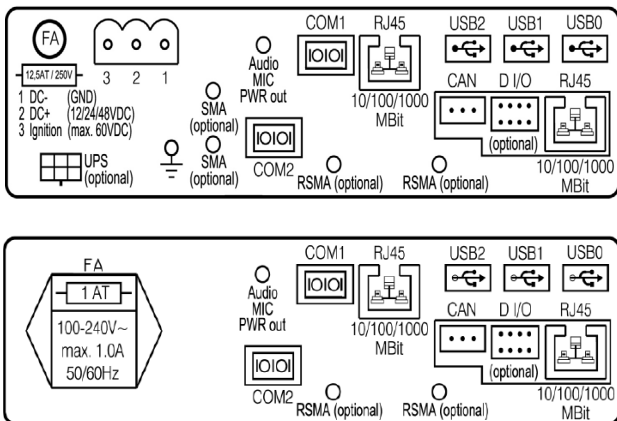
Datasheet V2.40 © by DLoG GmbH 08/2015. Information is subject to change. Product names are in most cases also registered trademarks and are thus subject to law.

DLT-V8315

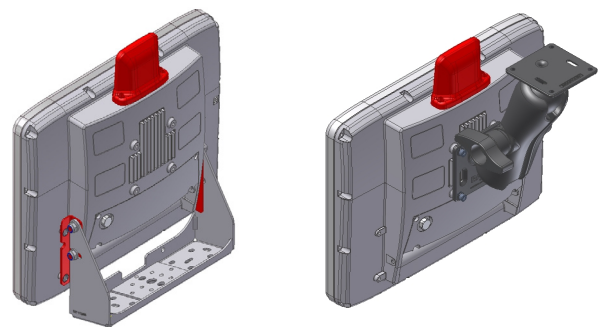
Dimensions (in mm)



Connectors DC and AC Devices



Mounting Variants (Selection)



Advantech-DLoG Partner Contact

Accessories/Options

- Scanners and scanner mountings
- Keyboards and keyboard mountings
- Terminal mountings (wide range of mounting brackets, RAM solutions etc.)
- USB Stick, USB Recovery Stick
- External CD/DVD ROM drive