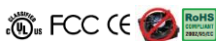


ARS-P3800

EN 50155 AMD® GX-217GA 38" Fanless Railway Panel PC



Features

- AMD Embedded G-Series System-on-Chip GX-217GA processor
- 38" LCD panel, 1920 x 540 pixels resolution
- 800 nits high brightness
- EN 50155 certificated for railway
- -25~55°C EN 50155 T1 temperature level, EN 45545 compliant
- 110Vdc isolation power input
- Fanless design
- Anti-shock and vibration
- IP-54 compliant (whole system)
- Supports Linux Ubuntu 16.04

Introduction

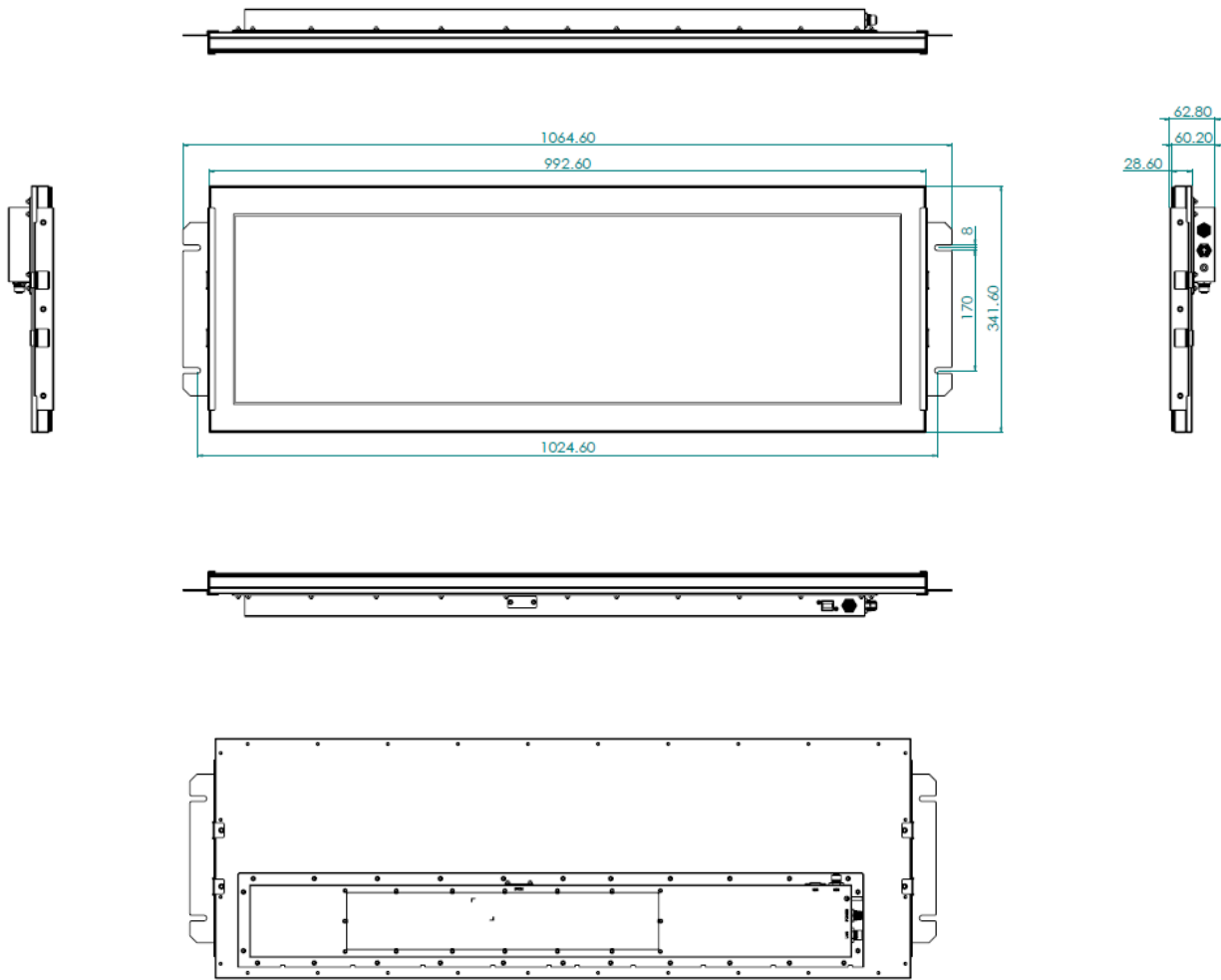
The Advantech ARS-P3800 is a fanless Passenger Information System, EN 50155 certified specially for rolling stock applications. It features a 38 inch stretched LCD panel, with brightness 800 cd/m² and contrast ratio 5000:1, ensuring easy readability even in light-insufficient environments. It is powered by AMD Embedded G-Series System-on-Chip GX-217GA processor with 4GB memory, serving as a reliable platform to provide passenger information on wide versatility of vehicles, such as trains and trams.

Specifications

Computing System	CPU	AMD®G-Series Embedded SoC GX-217GA processor
	Max Speed	Dual Core 1.65GHz
	Memory	DDR3 1600MHz 204-pin SODIMM (up to 8GB)
Storage	mSATA	1 x mSATA SSD (Default 64GB)
Graphics	Chipset	Radeon™HD8280E
	Frequency	450MHz
	Graphic Engine	DirectX11, OpenGL 4.2, OpenCL 1.2
Display	Display Type	38" TFT LCD panel
	Max Resolution	1920 x 540
	Brightness	800nits
	Contrast Ratio	5000:1
Ethernet	LAN	10/100/1000 Base-T Ethernet Interface (M12 A-coded)
I/O Interface	USB	1 x USB 2.0 (M12 A-coded), 1x USB 2.0 (Type A)
Software	Linux	Ubuntu 16.04
Power	Connector	M12 with 4 poles
	Power Input Voltage	110Vdc (±40%)
Environment	Operating Temperature	EN 50155 T1 : -25°C ~ 55°C
	Storage Temperature	-40°C ~ 85°C
	Relative Humidity	95% @40°C (Non-Condensing)
	Vibration. Shock	EN 50155
	Ingress Protection	IP-54
Physical Characteristics	Construction	Aluminum Housing
	Dimensions (W x H x D)	1065 x 342 x 63mm / 41.9 x 13.5 x 2.5in
	Weight	11kg / 24.3lb
Certifications	Railway Related	EN 50155, EN 50121, IEC 61373, (EN 45545 Compliant)
	EMC. Safety	CE/FCC Class A. UL

Dimensions

Unit: mm



Ordering Information

Voltage	Part Number	Processor	DDR3 4GB	mSATA 64GB	HDMI	LAN	USB	IP54
110V	ARS-P3800-40A1E	AMD®GX-217GA	v	v	v	v	v	v

▪ For sales inquiries or further information, please contact us: Rail@advantech.com.tw