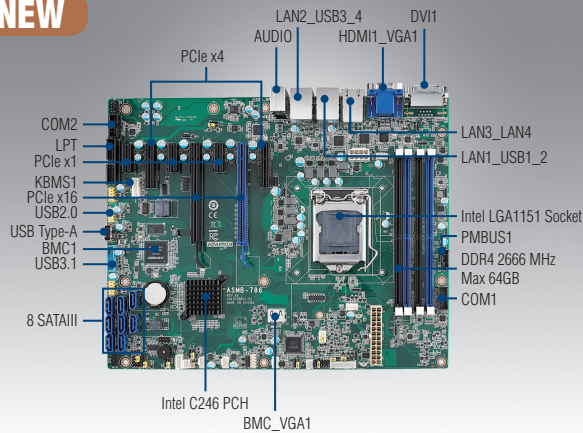


ASMB-786

LGA 1151 Intel® Xeon® E & 8th Generation Core™ ATX Server Board with 4 DDR4, 7 PCIe, 6 USB 3.1, 8 SATA3, Quad/Dual LANs, IPMI

NEW



Features

- LGA 1151 Intel® Xeon® E & 8th Generation Core™ i7/i5/i3 processors with C246 chipset
- DDR4 2666/2400/2133 MHz ECC/Non-ECC UDIMM up to 64 GB
- One Gen 3.0 PCIe x16 link (or two PCIe x16 slots with x8 link), two PCIe x4, and three PCIe x1 slots
- Triple displays - DVI-D, VGA and HDMI 2.0 ports
- Eight SATA3 ports and six USB 3.1 ports
- Rackmount optimized placement with positive air flow design
- 0 ~ 60° C ambient operating temperature range

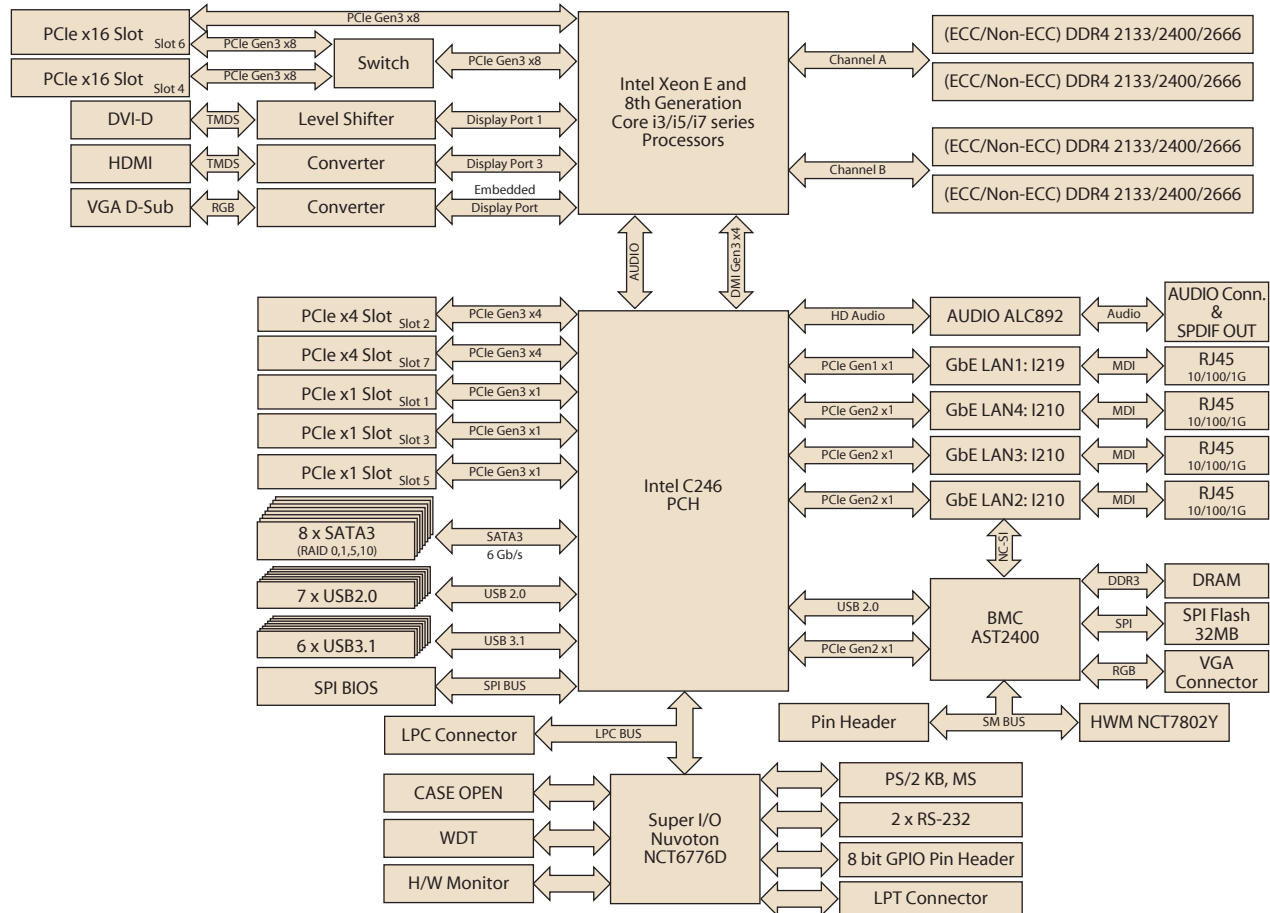
Note: The OS support includes Windows 10 (64-bit) and Server 2016 (64-bit) that have been validated.

CE FCC

Specifications

Form Factor		ATX form factor					
Processor System	Socket	Intel LGA 1151					
	CPU type	Intel® Xeon® E and 8th Generation Core™ i3/i5/i7 series (TDP up to 95W)					
Core Logic	Chipset	Intel C246 chipset					
Memory	Total slots	4 (Dual Channel)					
	Max. capacity	64 GB					
	Memory type	DDR4 ECC/Non-ECC 2666/2400/2133 MHz UDIMM (288-pin)					
	Memory size	4 GB, 8 GB, 16 GB					
Expansion Slots	Total PCI/PCI-X/PCIe slots	7					
	Slot location 1	PCIe x1					
	Slot location 2	PCIe x4 slot (Gen3 x4 link)					
	Slot location 3	PCIe x1					
	Slot location 4	PCIe x16 slot (Gen3 x8 link)					
	Slot location 5	PCIe x1					
	Slot location 6	PCIe x16 slot (Gen3 x8 or x16 link)					
Graphics	Controller	Intel HD Graphics					
	VRAM	1 GB maximum shared memory with 2 GB and above system memory installed					
Storage	SATA controller	Intel C246: 8 SATA3 6 Gb/s ports with Intel Rapid Storage Technology Enterprise support (for Windows only) (Supports software RAID 0, 1, 10 & 5)					
	SAS controller	-					
Networking	Interface	10/100/1000 Mbps					
	Controller	GbE LAN1: Intel I219; GbE LAN 2-4: Intel I210-AT					
	Connector	RJ-45 x 2 for G2 version; RJ-45 x 4 for G4 version					
Onboard I/O Connector	Printer Port connector	1					
	PSU connector	24-pin SSI power connector + 8-pin SSI 12V power connector					
	USB connector	1 USB 3.1 Gen 1 (2 ports), 3 USB 2.0 (6 ports), 1 USB Type-A					
	Fan header	5 (4-pin)					
	SMBus	1					
	Chassis intruder	1					
	Front LAN LED	2					
	Serial port header	2 (RS-232)					
	Audio connector	1 (ALC 892)					
	PS/2 KB/Mouse	1 (Optional PS/2 KB/Mouse cable and bracket required)					
Rear I/O Connector	External serial port	- (via COM cable in the package)					
	External USB port	4 (USB 3.1 Gen 2)					
	VGA port	1 (Resolution up to 1920 x 1200 @ 60 Hz)					
	DVI port	1 (Resolution up to 1920 x 1200 @ 60 Hz)					
	HDMI port	1 (Resolution up to 4096 x 2160 @ 60 Hz)					
	RJ-45	2 for G2 version; 4 for G4 version					
	Audio connector	2 (Mic-in, Line-out)					
PS/2 KB/Mouse	-						
Watchdog Timer	Output	System reset					
	Interval	Programmable 1 ~ 255 sec					
Power Requirement	Power On	3.3 V	5 V	12 V	12V_8P	5 Vsb	-12 V
	(Xeon E-2176G 3.7GHz DDR4 2400 4G*4)	3.44A	2.61A	1.04A	6.3A	0.09A	-0.02A
Environment	Temperature	Operating				Non-operating	
		0 ~ 60° C (32 ~ 140° F) Depends on CPU speed and cooler solution				-40 ~ 85° C (-40 ~ 185° F)	
	Humidity	10 ~ 90%				10 ~ 95% (Non-condensing)	
Physical Characteristics	Dimensions	304.8 x 244 mm (12" x 9.6")					

Block Diagram



Ordering Information

Part Number	Chipset	Memory	Display	LAN	SATAIII	IPMI
ASMB-786G2-00A1	C246	DDR4 Non-ECC/ECC UDIMM	VGA + DVI-D + HDMI	2	8	-
ASMB-786G4-00A1	C246	DDR4 Non-ECC/ECC UDIMM	VGA + DVI-D + HDMI	4	8	Y

Packing List

Part Number	Description	Quantity
2001S78610	Startup manual	x 1
1700003194	SATA data cables	x 1
1700019381	SATA data cable (right angle)	x 1
1700022749-11	SATA power cables	x 2
1700001788	COM1 cable	x 1
1960088021T001	I/O shield	x 1

Optional Accessories

Part Number	Description
1960052651N021	LGA 1151/1150/1155 CPU cooler for 2U/4U and wallmount chassis (TDP up to 95W)
1960049408N001	LGA 1151/1150/1155 CPU heatsink for 1U chassis (TDP up to 95W)
1960088060N001	1U I/O shield
1700008809	Printer port cable kit (25 cm)
1700020294-01	Printer port cable kit (42 cm)
1701090401	Single port RS-232 cable with bracket (40 cm)
1700002204	Dual port USB 2.0 cable (27 cm) with bracket
1700008461	Four port USB 2.0 cable (30.5 cm) with bracket
1700020277-01	Dual port USB 3.0 cable with bracket (30 cm)
1700019268-11	Cable for onboard KBMS1 connector (35cm)
1960063434N000	Cable bracket for 1700019268-11
1700029038-01	BMC VGA cable with bracket (35cm, for G4 SKU)
PCA-COM232-00A1E	4 ports RS-232 module to LPC connector
PCA-COM485-00A1E	4 ports RS-485 module to LPC connector
PCA-TPM-00B1E	TPM 2.0 Module by LPC

I/O View



ASMB-786G4-00A1



ASMB-786G2-00A1

Note : Purchasing ASMB-786's proprietary CPU cooler from Advantech is a must. Other brands' CPU coolers are NOT compatible with ASMB-786.